

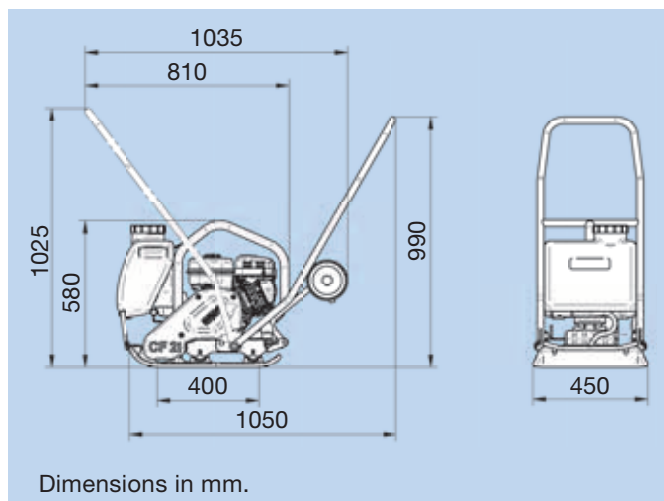
## Vibratory plate CF 2i

**Reliability packaged in a compact design.**

Forward travel vibratory plates are commonly used for compacting sand/gravel or paving and asphaltting small areas in the gardening and landscaping sector.

The compact design of the CF 2i combined with its central lifting eye and the optional wheel kit make operation and transport a breeze.

Offering superior quality and performance, the CF 2i is guaranteed to deliver reliable operation.



### Available accessories

Polyurethane pad for pavements, water sprinkler system, integrated wheel kit.

### Applications

Compacting sand/gravel, asphalt, pavements.

## Technical data

Typ		CF 2i	CF 2i Hd
Operating weight to CECE	kg (lbs)	81 (178)	81 (178)
Centrifugal force	kN (lbs)	15 (3,375)	15 (3,375)
Frequency	Hz (r.p.m.)	95 (5,700)	95 (5,700)
Operating width	mm (in.)	450 (18)	450 (18)
Engine manufacturer		Subaru EX 17	Honda GX 160
Engine type		4-stroke, gasoline	4-stroke, gasoline
Engine power output, max.	kW (HP)	4.2 (5.7)	3.6 (49)
Power output at operating speed	kW (HP) at r.p.m.	2.8 (3.8) at 3000	2.7 (3.7) at 3000
Working speed	m/min (ft/min.)	26 (85)	26 (85)

We reserve the right to alter specifications.